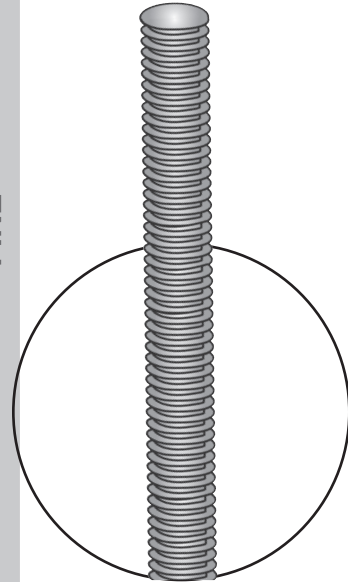


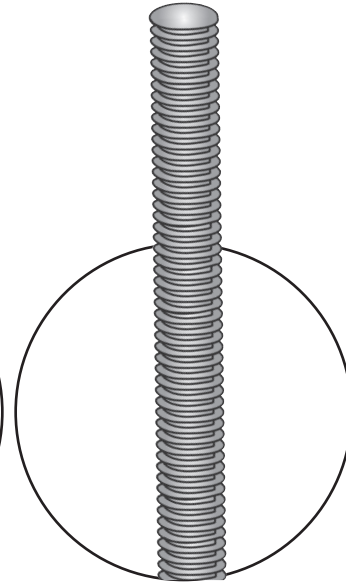
FINE

$\frac{1}{4}$   
28



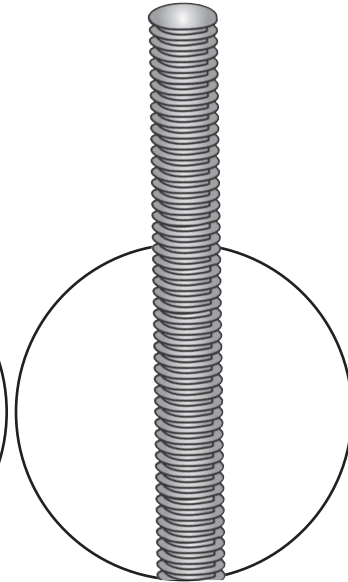
AT-1/4FX3FT

$\frac{5}{16}$   
24



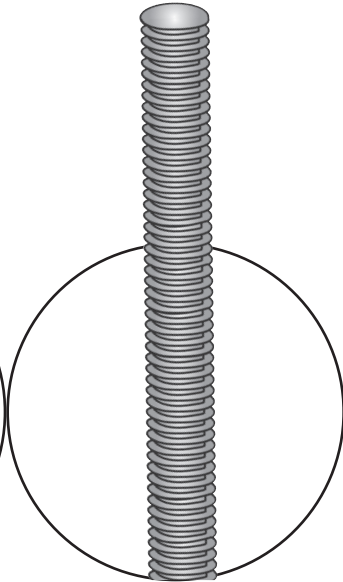
AT-5/16FX3FT

$\frac{3}{8}$   
24



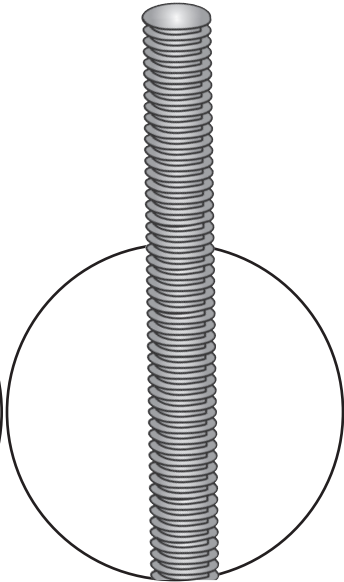
AT-3/8FX3FT

$\frac{7}{16}$   
20

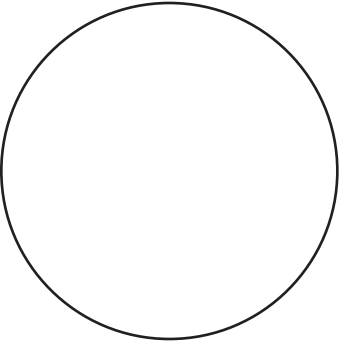
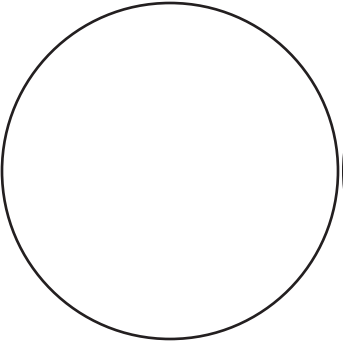
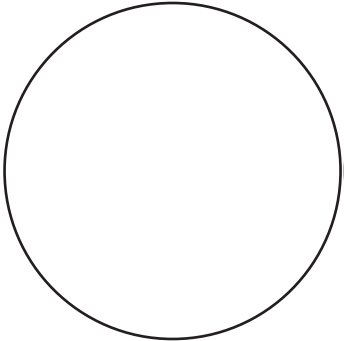
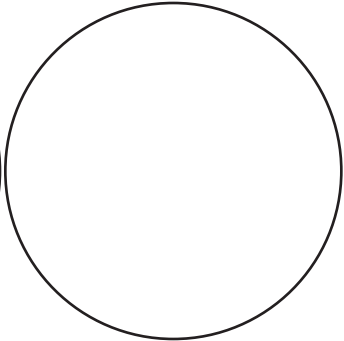


AT-7/16FX3FT

$\frac{1}{2}$   
20

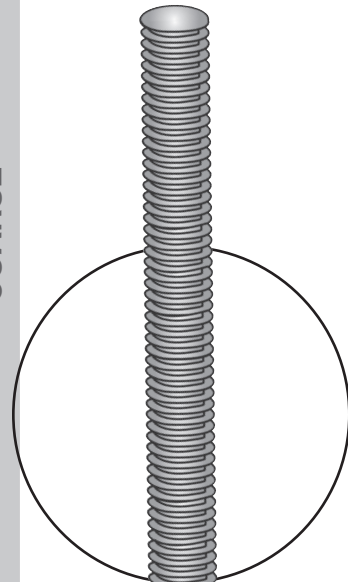


AT-1/2FX3FT



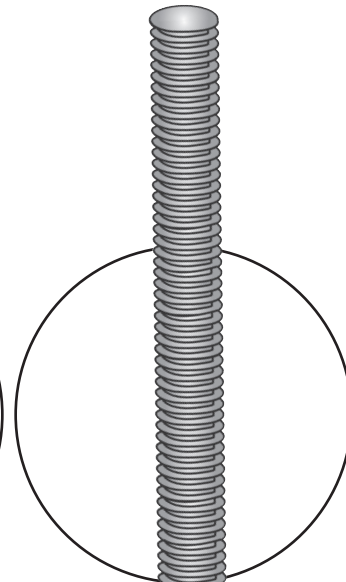
COARSE

$\frac{1}{4}$   
20



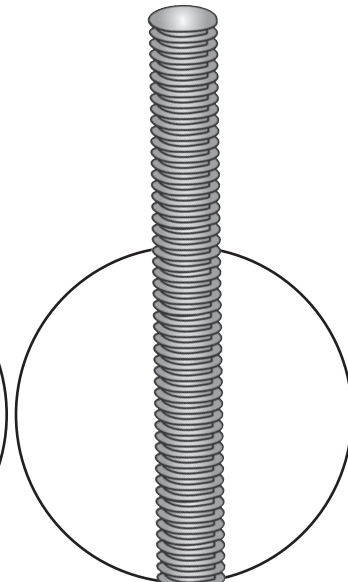
AT-1/4CX3FT

$\frac{5}{16}$   
18



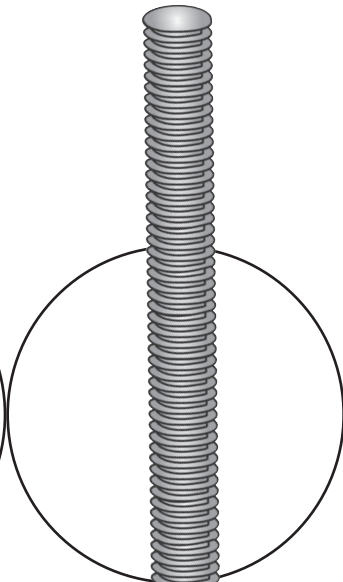
AT-5/16CX3FT

$\frac{3}{8}$   
16



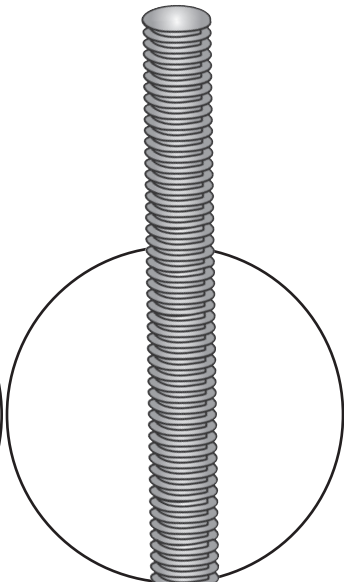
AT-3/8CX3FT

$\frac{7}{16}$   
14



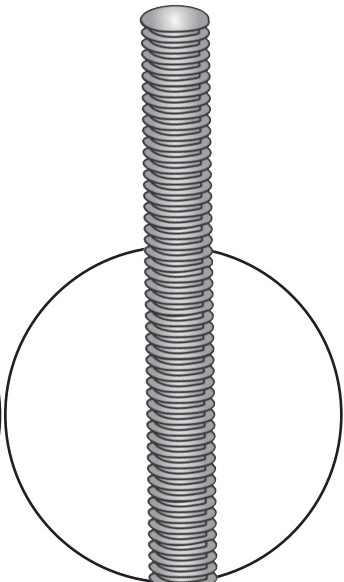
AT-7/16CX3FT

$\frac{1}{2}$   
13



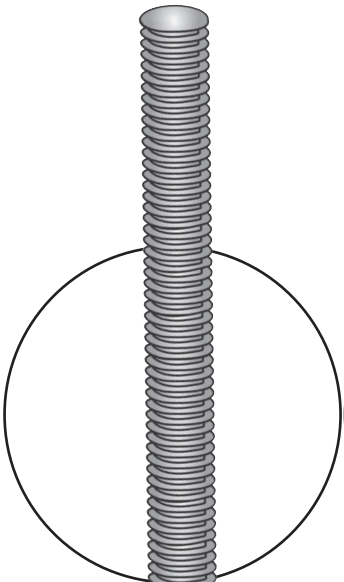
AT-1/2CX3FT

$\frac{5}{8}$   
11



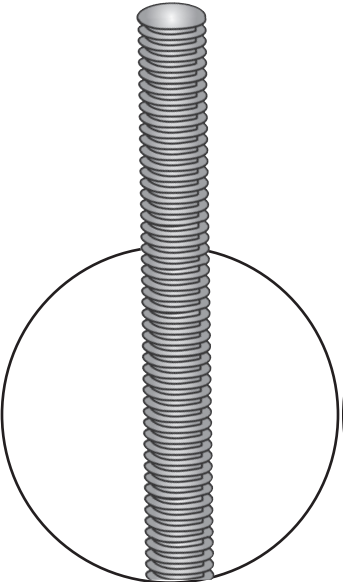
AT-5/8CX3FT

$\frac{3}{4}$   
10



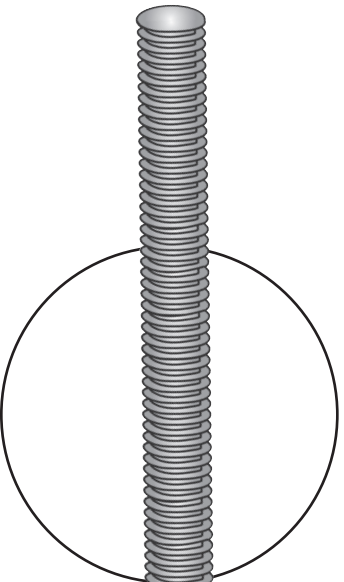
AT-3/4CX3FT

$\frac{7}{8}$   
9



AT-7/8CX3FT

1-8



AT-1CX3FT

PRODUCT IMAGES NOT TO SCALE... SERVICED BY CUMBERLAND TRUCK/HARVEY'S SUPPLY

CREATED 3/10