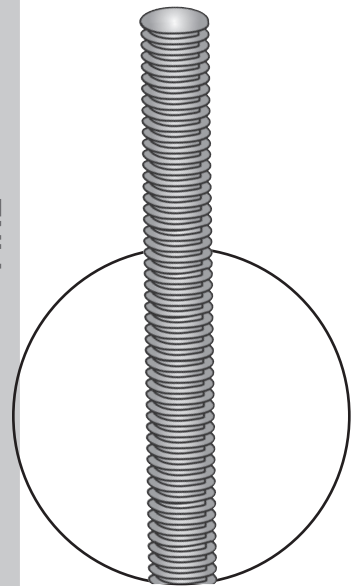


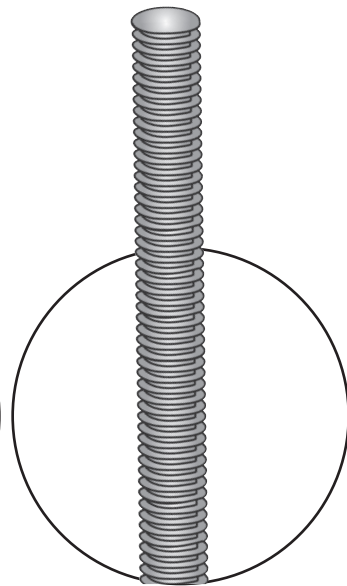
FINE

$\frac{1}{4}$
28



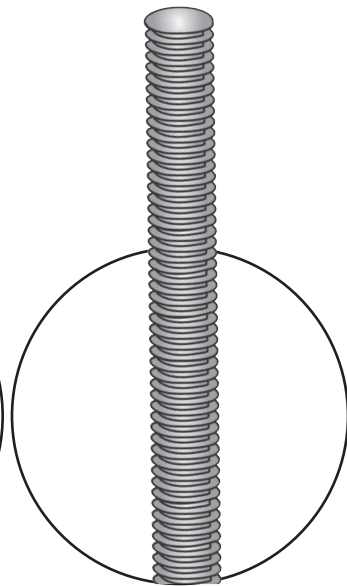
AT-1/4FB7X3FT

$\frac{5}{16}$
24



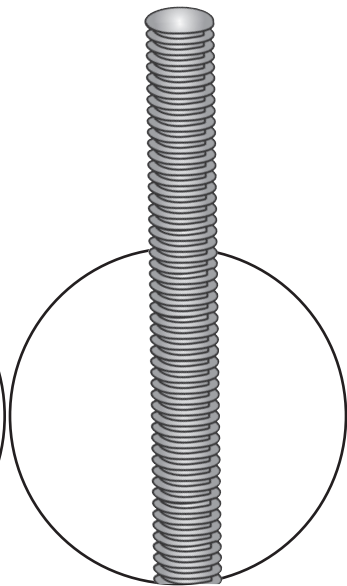
AT-5/16FB7X3FT

$\frac{3}{8}$
24



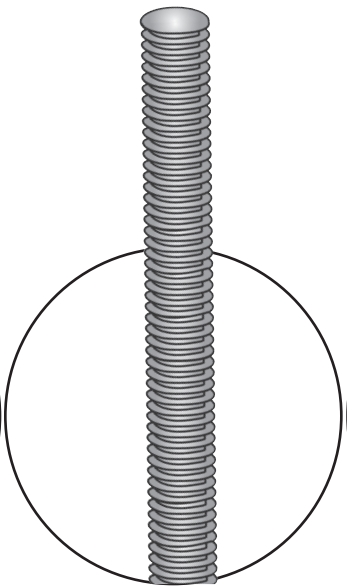
AT-3/8FB7X3FT

$\frac{1}{2}$
20



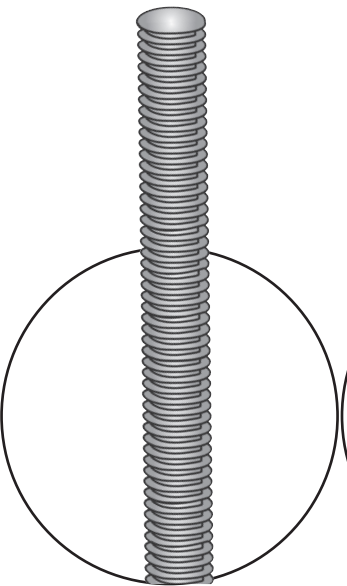
AT-1/2FB7X3FT

$\frac{5}{8}$
18



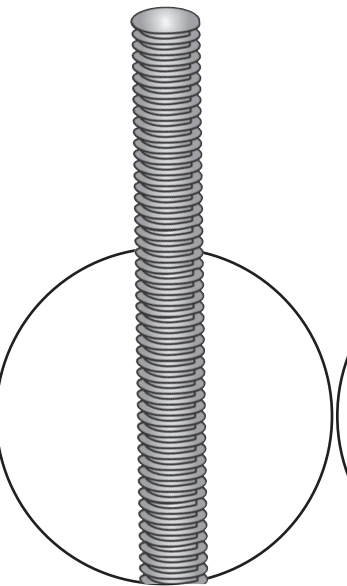
AT-5/8FB7X3FT

$\frac{3}{4}$
16



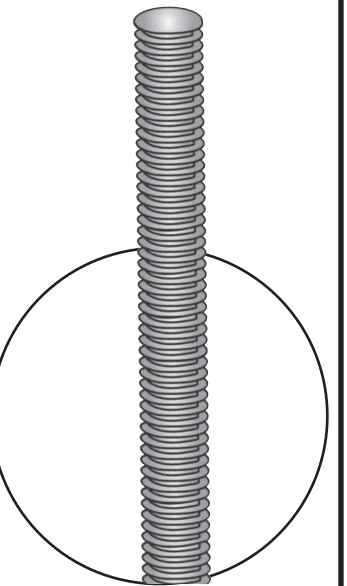
AT-3/4FB7X3FT

$\frac{7}{8}$
14



AT-7/8FB7X3FT

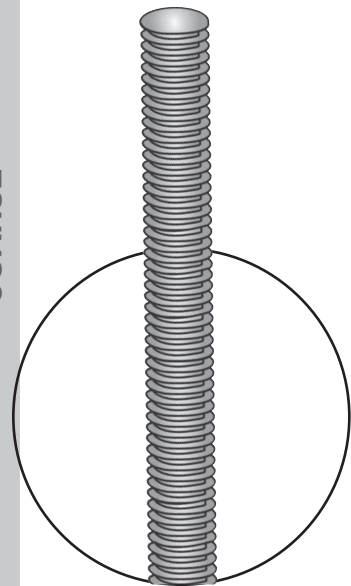
1-14



AT-1FB7X3FT

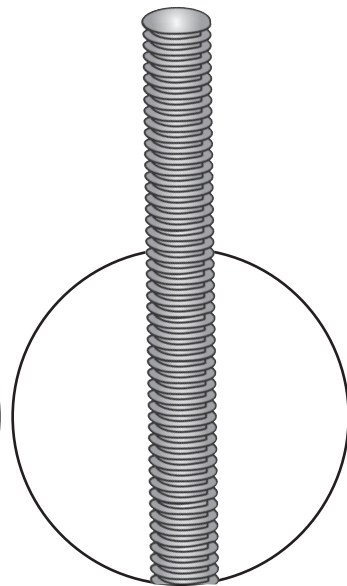
COARSE

$\frac{1}{4}$
20



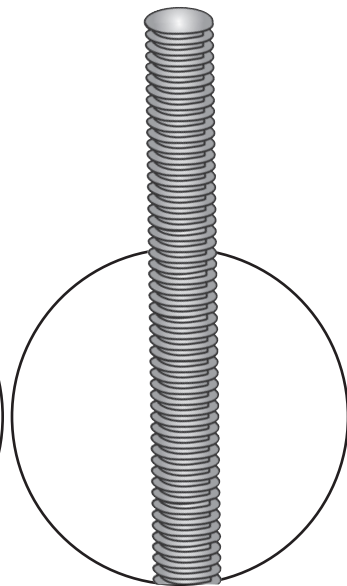
AT-1/4CB7X3FT

$\frac{5}{16}$
18



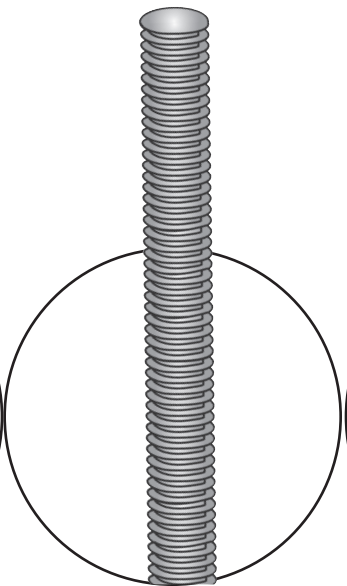
AT-5/16CB7X3FT

$\frac{3}{8}$
16



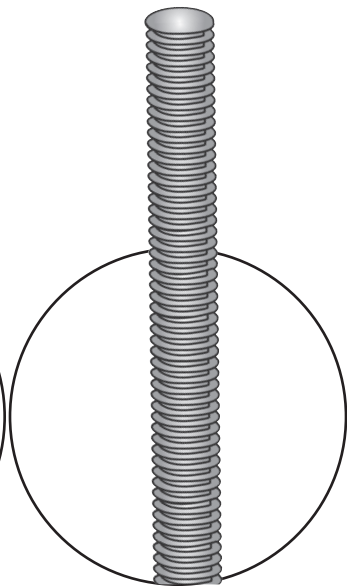
AT-3/8CB7X3FT

$\frac{7}{16}$
14



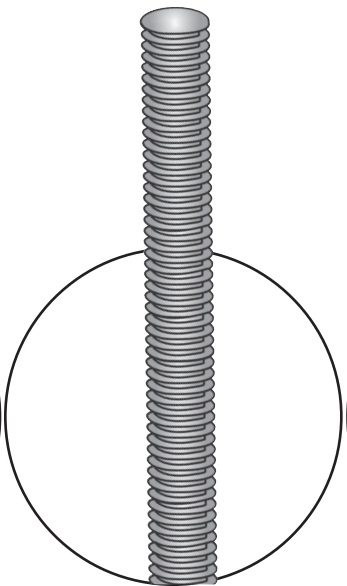
AT-7/16CB7X3FT

$\frac{1}{2}$
13



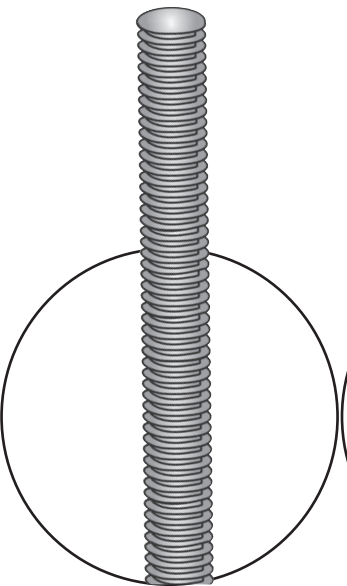
AT-1/2CB7X3FT

$\frac{5}{8}$
11



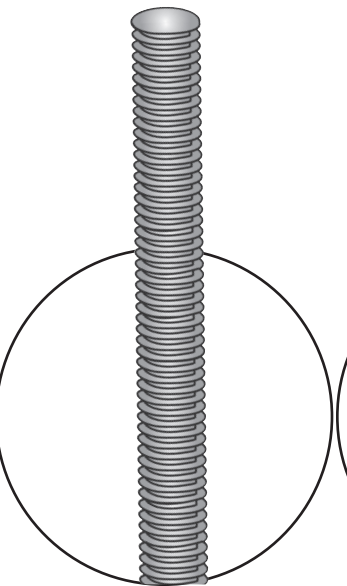
AT-5/8CB7X3FT

$\frac{3}{4}$
10



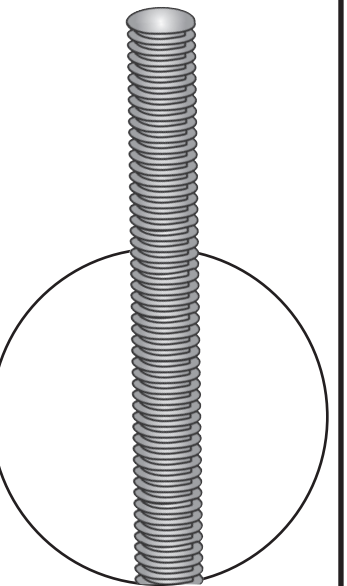
AT-3/4CB7X3FT

$\frac{7}{8}$
9



AT-7/8CB7X3FT

1-8



AT-1CB7X3FT

CREATED 3/10

PRODUCT IMAGES NOT TO SCALE... SERVICED BY CUMBERLAND TRUCK/HARVEY'S SUPPLY