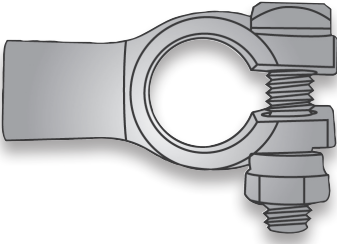
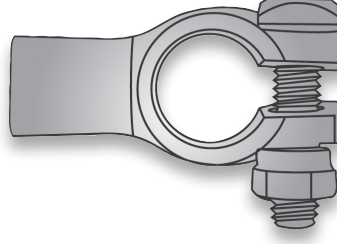
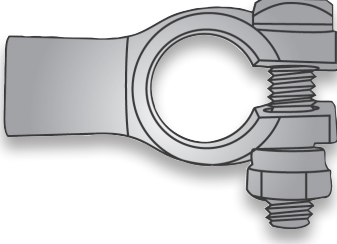
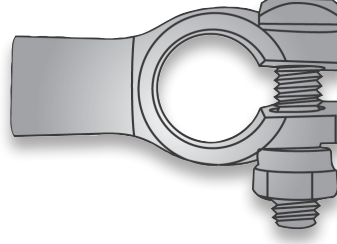
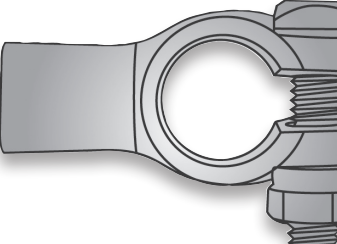
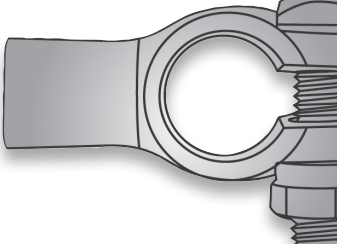
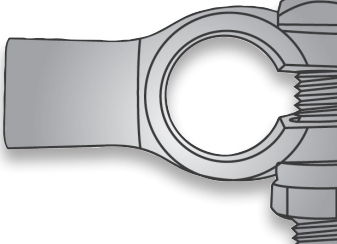
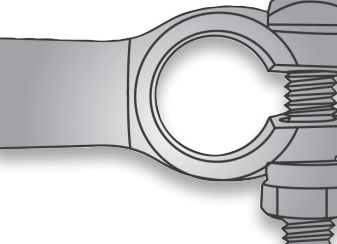
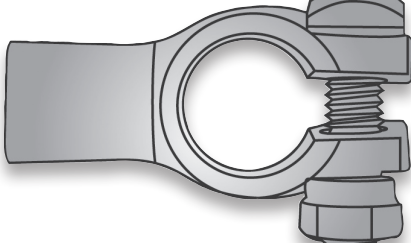
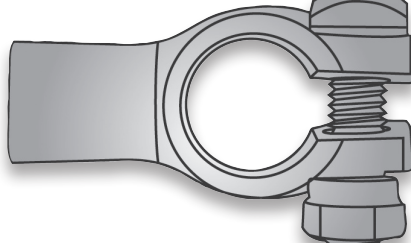
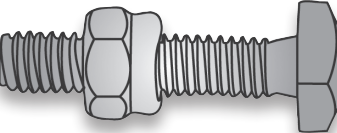
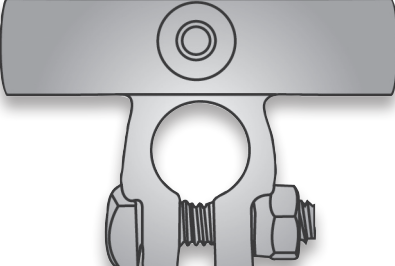
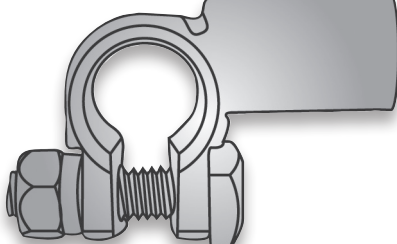
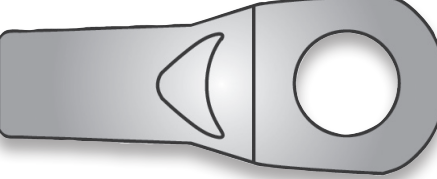
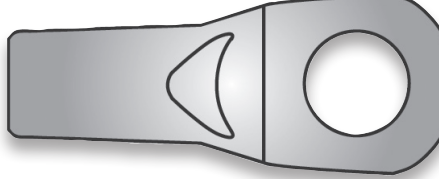


<p>BATTERY TERMINAL, NEGATIVE</p> <p>1  GA.</p> <p>GRO-82-9047</p>	<p>BATTERY TERMINAL, POSITIVE</p> <p>1  GA.</p> <p>GRO-82-9048</p>	<p>BATTERY TERMINAL, NEGATIVE</p> <p>1/0  GA.</p> <p>GRO-82-9056</p>	<p>BATTERY TERMINAL, POSITIVE</p> <p>1/0  GA.</p> <p>GRO-82-9057</p>
<p>BATTERY TERMINAL, NEGATIVE</p> <p>2/0  GA.</p> <p>GRO-82-9058</p>	<p>BATTERY TERMINAL, POSITIVE</p> <p>2/0  GA.</p> <p>GRO-82-9059</p>	<p>BATTERY TERMINAL, NEGATIVE</p> <p>3/0  GA.</p> <p>GRO-82-9060</p>	<p>BATTERY TERMINAL, POSITIVE</p> <p>3/0  GA.</p> <p>GRO-82-9061</p>
<p>BATTERY TERMINAL, NEGATIVE</p> <p>4/0  GA.</p> <p>GRO-82-9062</p>	<p>BATTERY TERMINAL, POSITIVE</p> <p>4/0  GA.</p> <p>GRO-82-9063</p>		<p>BATTERY, BOLT AND NUT</p> <p>5/16  1 3/8</p> <p>GRO-82-9183</p>
<p>BATTERY TERMINAL, POSITIVE</p> <p>2/0  GA.</p> <p>GRO-82-9098</p>	<p>NEGATIVE TERMINAL, RIGHT ELBOW</p> <p>2/0  GA.</p> <p>GRO-82-9648</p>	<p>CABLE LUG, COPPER</p> <p>2/0  5/16 GA. STUD</p> <p>GRO-82-9536</p>	<p>CABLE LUG, COPPER</p> <p>2/0  GA. 3/8 STUD</p> <p>GRO-82-9435</p>

PRODUCT IMAGES NOT TO SCALE... SERVICED BY CUMBERLAND TRUCK/HARVEY'S SUPPLY

CREATED 1/10