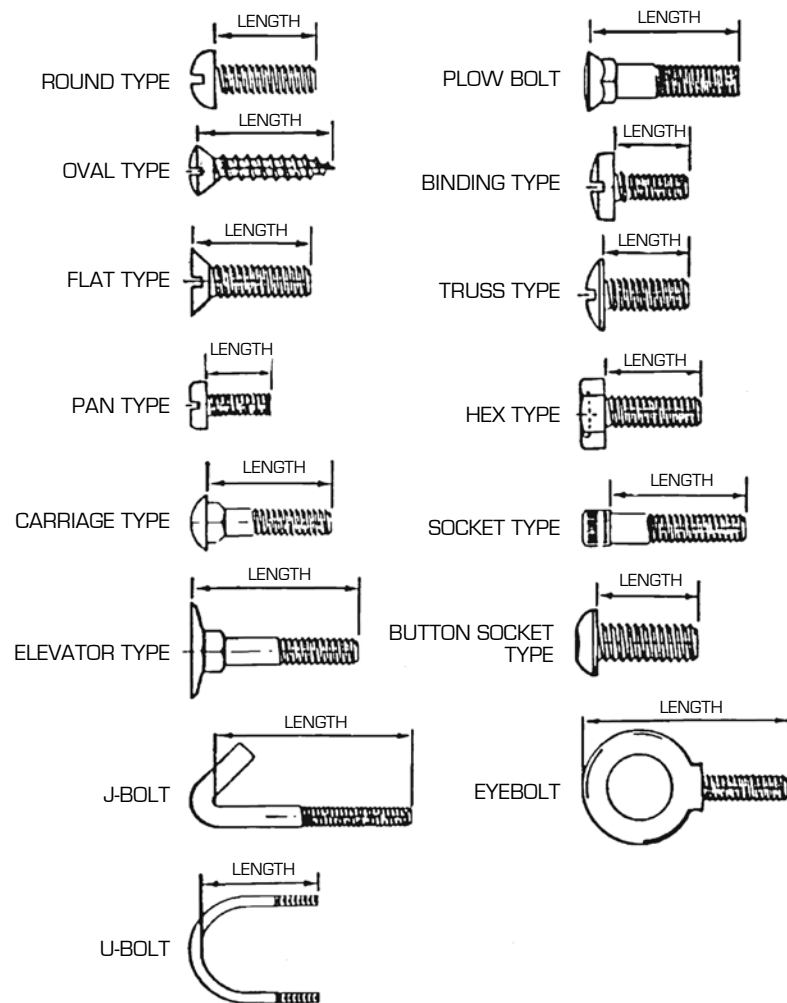
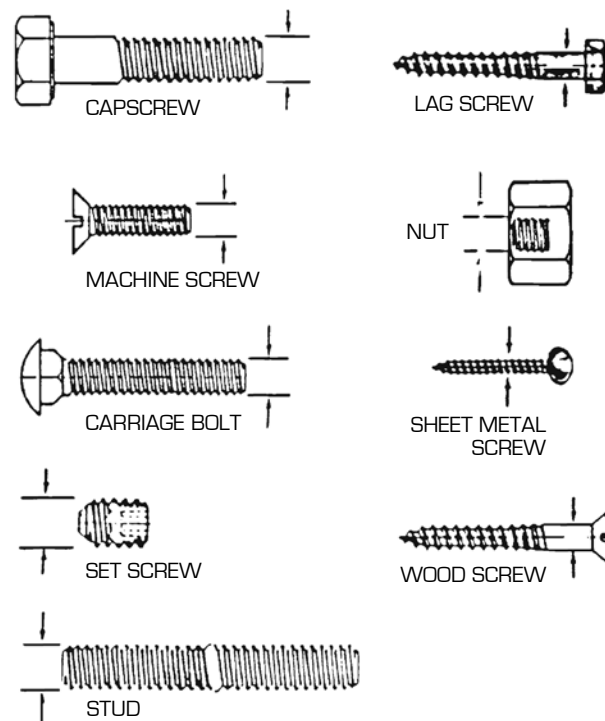


## MEASURING THREADED FASTENERS

### LENGTH



### DIAMETER



### THREADS

